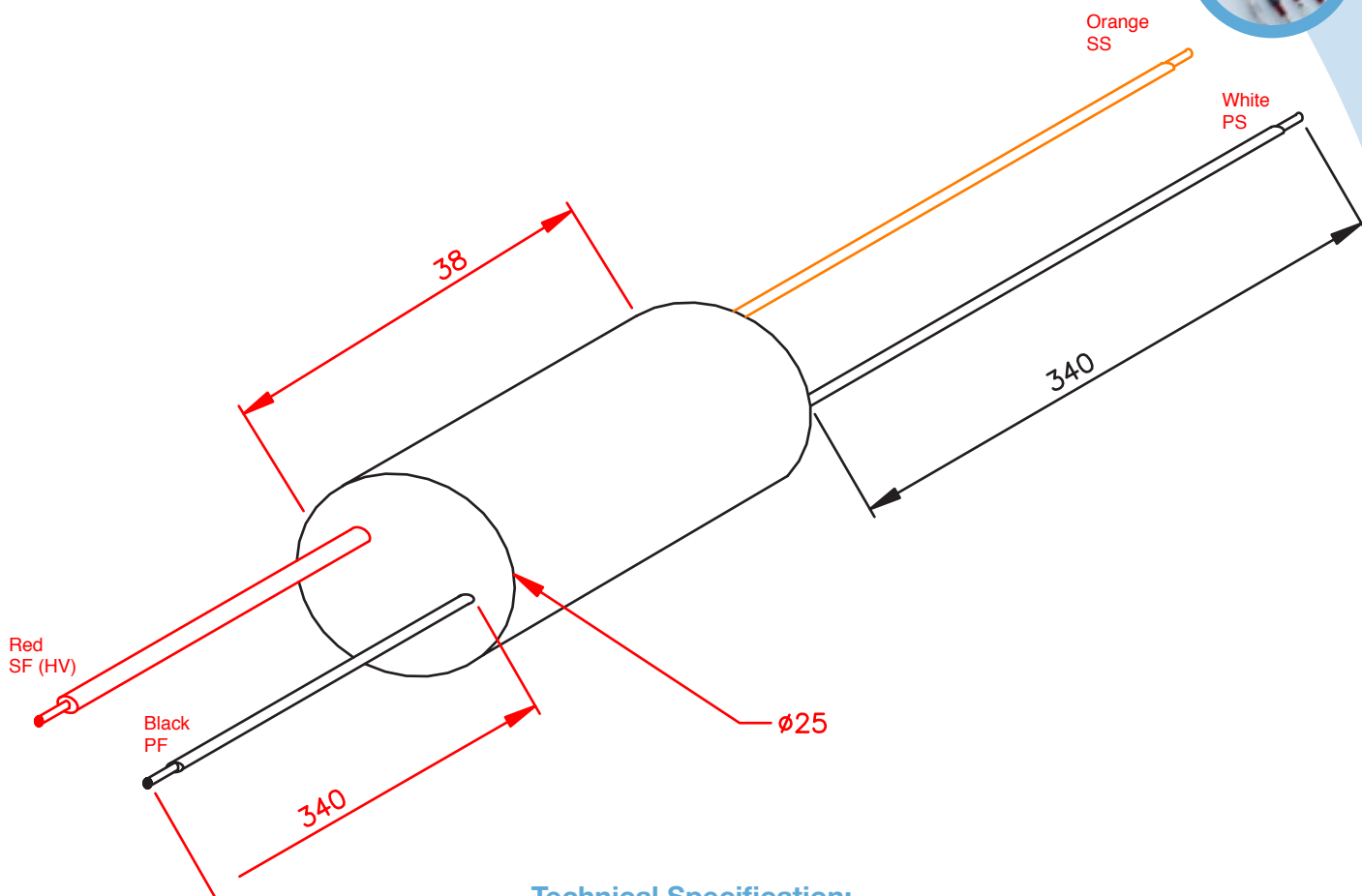


FTR20-3 External Trigger Transformer



Technical Specification:

Maximum Input Voltage:	200V
Output Voltage:	20KV
Primary Peak Current:	110Amp
Turns Ratio:	112:1
Primary Inductance:	$5 \pm 1 \mu\text{H}$
Hold off voltage (secondary to primary)	5KV DC
Pulse width 50% amplitude	1.5 μSec min
HV Cable Red Silicon	25KV Insulation

First Light Lamps Ltd

Unit 9, Lancaster Way Business Park, Ely, Cambridgeshire, CB6 3NW, UK

Tel: +44 (0)1353 659922 Fax: +44 (0)1353 668883

Email: info@firstlightlamps.com

www.firstlightlamps.com

FIRSTLIGHT